

FUTURA MINI - SPECIFICATION SHEET

Futura Econo

Futura Econo is a steel, the 25 and 38 model in

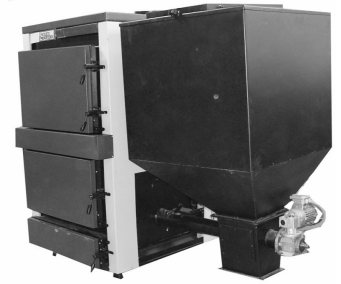


one function boiler. Equipped with an automatic fuel feed system, and additional emergency grate.

FUEL

Recommended fuel:
coal having a diameter
Futura Econo
25

of 8-25 mm. During the burning on grates: wood.

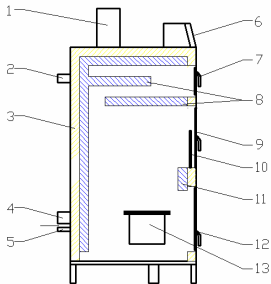


Futura Econo
100

Model Futura Econo 25
TABLE SPECIFICATIONS

MODEL		Futura econo 25	Futura econo 38	Futura econo 50	Futura econo 75	Futura econo 100	Futura econo 150
Power range	kW	8-25	12-38	18-50	25-75	30-100	50-150
Efficiency	%	83-85					
Water capacity	dm ³	105	130	180	250	315	370
Max working pressure	bar	2					
Min. outlet temperature	°C	recommended 55					
Min. Outlet temperature	°C	90					
Min. inlet temperature	°C	45					
Water-side resistance; Δt=10K	mbar	2±20					
Water-side resistance; Δt=20K		0,5+5					
Flue gas temperature	°C	> 180					
Chimney pressure	Pa	20	20-25	25	25	25-30	25-30
Recommended chimney height	m	8	8	8-10	10	10	10
Recommended chimney section	cm ²	400	400	600	600	800	800
Fuel tank capacity	dm ³	220	220	335	335	555	555
Power consumption	kW	0,28-0,4	0,28-0,4	0,28-0,4	0,28-0,55	0,28-0,55	0,28-0,55

BOILER CONSTRUCTION



1. Flue gas outlet
2. outlet connection
3. Thermal insulation (mineral wool)
4. Inlet connection
5. Blowdown connection
6. Boiler controller RK 2006 Ecomax 250, Ecomax 800 or other.
7. Door cleaning hole
8. Water load (heat exchange surface)
9. Loading door
10. Inner grate door
11. Water coat
12. Ash door
13. Retort burner

EMISSION

Model	Unit	Futura Econo 25
CO Emission (O2=10%)	mg/m ³	830
OGC Emission (O2=10%)	mg/m ³	40
Dust Emission (O2=10%)	mg/m ³	85

ADVANTAGES OF THE BOILER

- Automatic combustion
- High-quality parts
- Expandable automation
- The simple installation

Burners

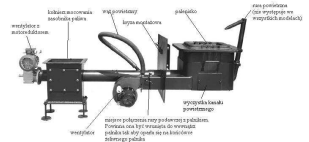
In models 25 and 38 kW is installed iron retort burner



In models 50 and 75 kW is installed steel retort burner



In models 100 and 150 kW is installed elements retort burners



AUTOMATION

Standard RK 2006 L Supports domestic hot water pump and central heating pump and cooperates with a room thermostat.



Optional Controller Ecomax 250 Supports domestic hot water pump and central heating pump and cooperates with a room thermostat.

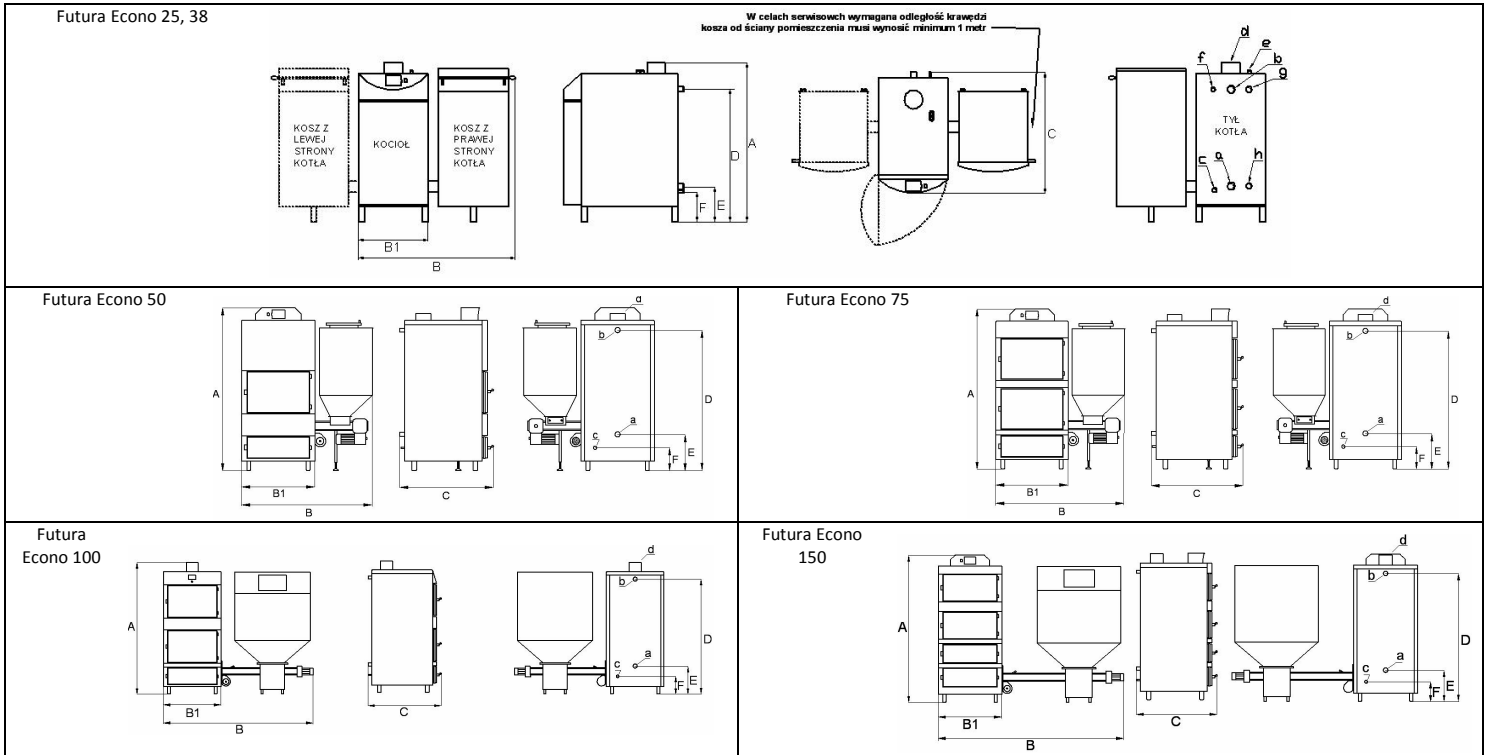


Optional Controller Ecomax 800R Supports domestic hot water pump and central heating pump, mixer and mixer pump. Cooperates with a room thermostat.



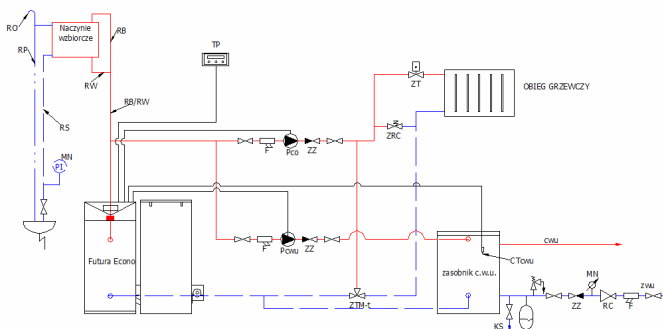
FUTURA MINI - SPECIFICATION SHEET

DIMENSIONS OF BOILER



Futura Econo	25	38	50	75	100	150
A	1400	1500	1660	1850	1900	1960
B1	610	610	710	795	960	960
B	1400	1400	1450	1550	2350	2350
C	1100	1100	1050	1300	1290	1350
D	1150	1260	1420	1570	1600	1680
E	310	310	360	360	355	335
F	275	275	320	310	305	290
a	GZ 1 1/2"	GZ 2"	GZ 2"	GZ 2"	GZ 2"	GZ 2"
b	GZ 1 1/2"	GZ 2"	GZ 2"	GZ 2"	GZ 2"	GZ 2"
c	GZ 1/2"	GZ 1/2"	GZ 1/2"	GZ 1/2"	GZ 1/2"	GZ 1/2"
d	160	160	200	250	250	300
e	GZ1/2"	GZ1/2"	---	---	---	---
f	GW 1/2"	GW 1/2"	---	---	---	---
g	GW 1"	GW 1"	---	---	---	---
h	GW 1"	GW 1"	---	---	---	---

Installation diagram domestic hot water and central heating with thermostatic valve



Installation diagram central heating the mixing pump

